



the wetseat

neoprene seatcovers



a product of **INLAND**
AUSTRALIA PTY LIMITED



Important

This seat cover suits the Ford PX2 Ranger (07/2015-), and MAZDA BT50 UR Series (08/2015-) XTR & GT only



- Do not fit these seat covers to any other vehicle.
- Please read these instructions carefully and install seat covers exactly as described.
- Regularly inspect seat covers for any wear or misalignment which may cause damage to the seat covers.
- Adjust alignment if seat cover twists or moves from its original, centrally aligned position.
- As with all garment type products the threads will give if pulled on too hard. Use just enough force to align and pull the cover without breaking the sewn threads.
- Check that the cover does not impede the child restraint system or the seat belts and buckles.
- Place these fitting instructions in your glove box after installation for future reference.
- If you have any difficulty during installation, please call The Wet Seat office for help.

Care of your Wet Seat covers

For light marks and surface dirt a damp cloth, chamois or wet wipes will suffice.

For heavier marks and stains machine wash your Wet Seat,

Set to cold wash, gentle cycle using standard washing powder.

Dust off the covers first before putting them into a machine wash.

For salt water, sand or mud also try to hose down your Wet Seat, cloth line dry in 1 hour (Ambient temp 20 degrees Celsius).

Kit Contents

- 1 x Tailored Backrest Wet Seat Cover
- 1 x Tailored Cushion Wet Seat Cover
- 3 x Tailored Headrest Wet Seat Covers

The Wet Seat™ Neoprene Seat Covers

The Wet Seat neoprene seat cover is a wet suit for your car seats. These innovative covers are designed for fitting onto all passenger vehicles. Catering for all seat types, so whether it is a 4x4, ute or the family wagon, The Wet Seat is a versatile cover designed for the Australian way of life.

The Wet Seat is:

- UV Safe, Wont fade in the sunny Australian conditions
 - Water Resistant, Perfect for the beach, water sports, water crossings, fishing, camping, touring and more!
 - Dust, Dirt, Sand & Mud Resistant, wont let any of these seep through to your seat keeping your seats clean & dry!
 - Superior Comfort & Aesthetically Appealing
 - Abrasion and Chemical Resistant
 - Non Soiling and Non Static, Simple removal of dust and pet hair
- Australia's most trusted neoprene seat cover since 2007.



Contact Us



Inland Australia Pty. Ltd.
Unit 2/10c Childs Road.
Chipping Norton.
NSW. 2170. Australia



+61 2 9724 9499



sales@thewetseat.com



www.thewetseat.com

The Wet Seat Neoprene Seat Covers - www.thewetseat.com

TAILORED BACKREST COVER INSTALLATION

1. Release seat backrest by pulling up the release strap (a).
Press both large (b) and small (c) buttons at once and lift to release the headrest (d).
Remove all 3 (three) headrests.
(Fig.1)

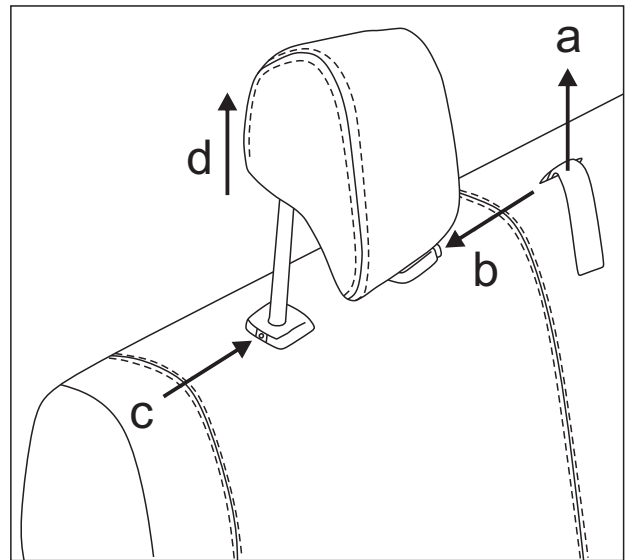


Fig. 1

2. Tilt seat backrest forward (a).
Pull middle seat belt forward (b).
Place backrest cover over the seat backrest, feeding it through the middle seat belt (c).
(Fig. 2)

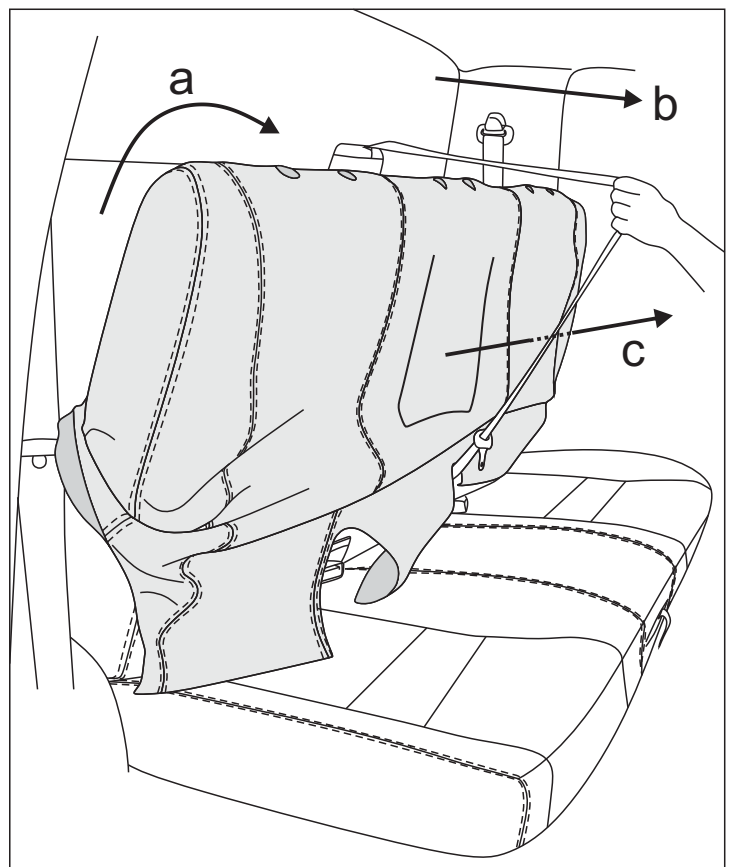


Fig. 2

3. Using your fingers, push backrest cover under headrest guide mechanisms to hold the top part of the backrest cover in place and centrally aligned (a).
Pull the release latch through the latch hole in the seat cover (b).
(Fig. 3)

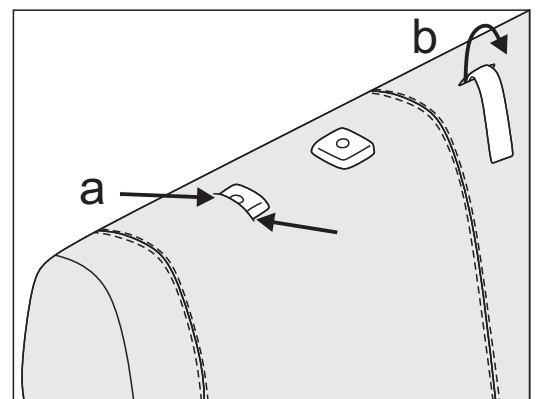


Fig. 3

4. For best fitment, work the backrest evenly and keep it aligned to the seats contours at all times.

Once aligned, push the middle parts of the backrest cover, which consists of 4 (four) hook and 2 (two) loop tapes, through in between the seat backrest and base.

(Fig. 4)

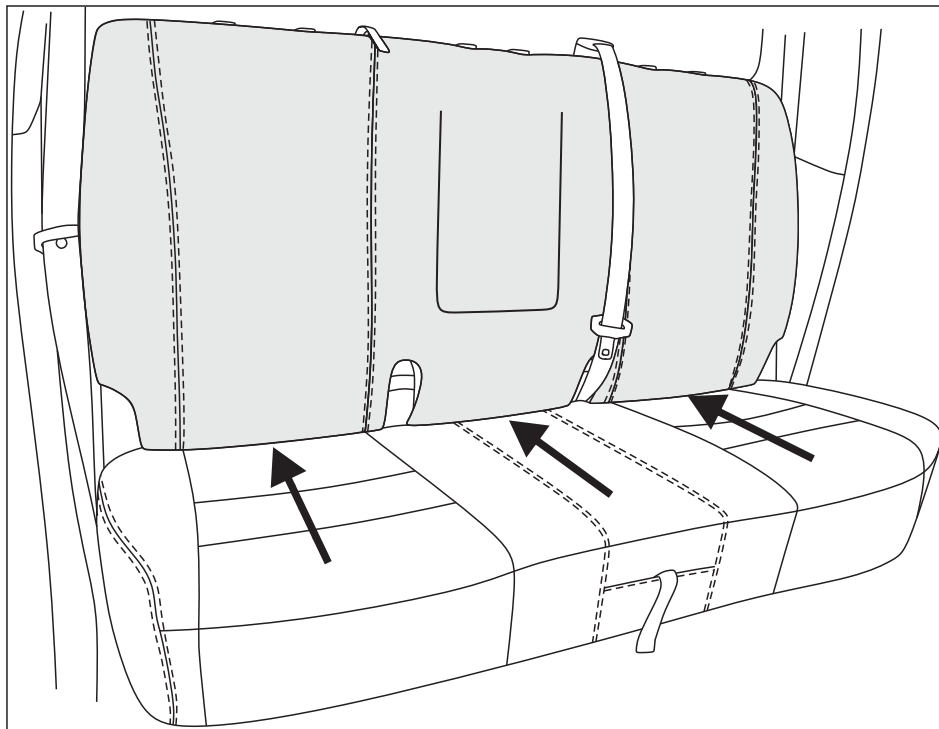


Fig. 4

5. Tilt seat backrest forward and attach the 6 (six) hook tapes to the back of the seat backrest, and the 2 (two) loop tapes to the hook tapes on the corners of the cover.

(Fig. 5)

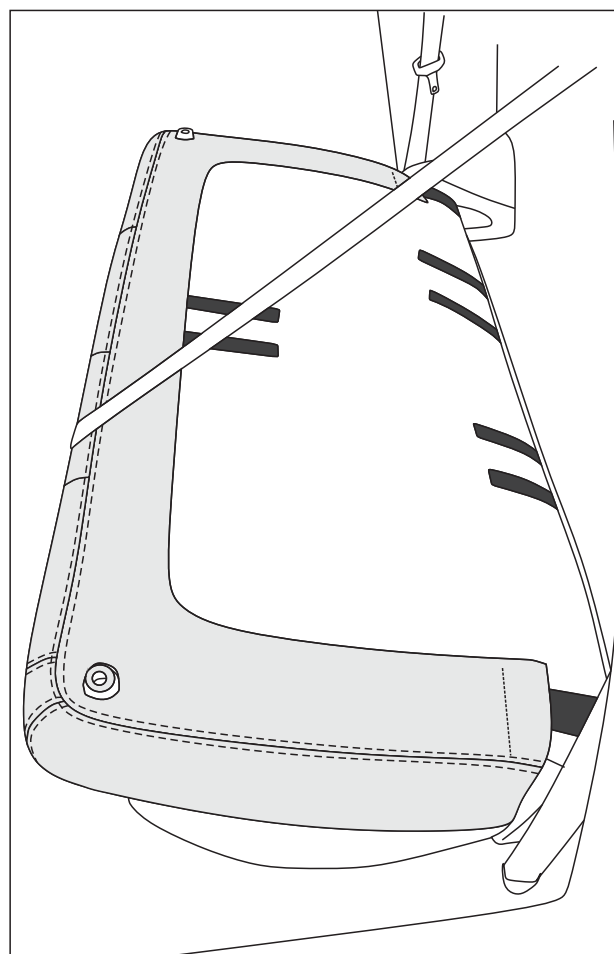


Fig. 5

TAILORED BASE COVER INSTALLATION

6. Turn the base cover inside out and place over the seat base. Align to the seats contours and roll around the edge of the seat. Push the middle parts of the base cover, which consists of 6 (six) hook tapes, through in-between the seat base and backrest. (Fig. 6)

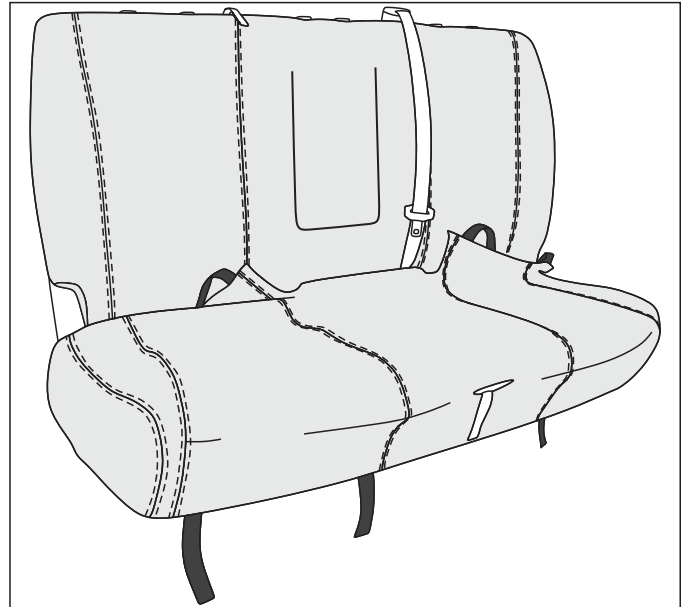


Fig. 6

7. Fold the seat base up and attach the 12 (twelve) hook tapes underneath the seat base. (Fig 7)

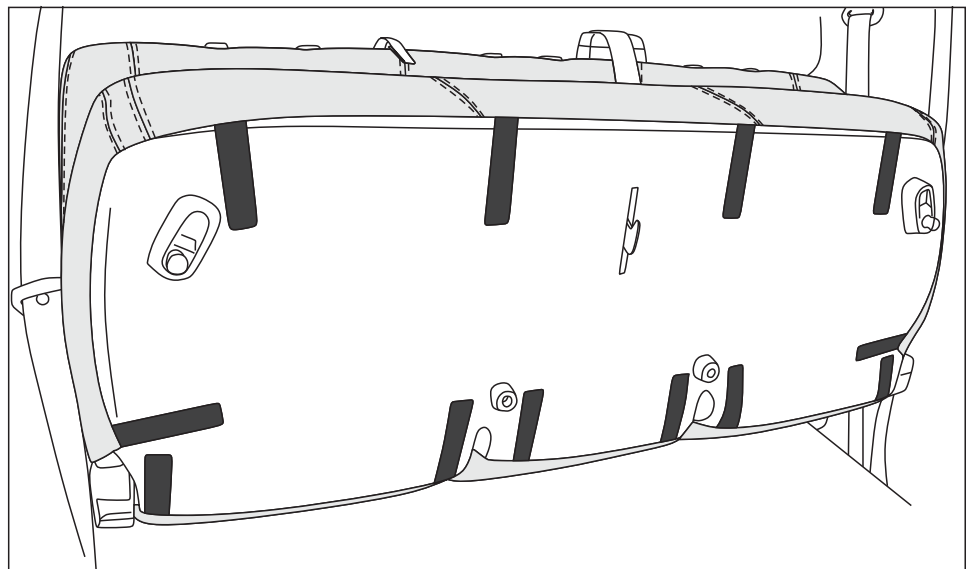


Fig. 7

8. To install the headrest covers, wrap the cover over the headrest from the back to the front, keeping it aligned at all times. Attach the hook and loop tapes underneath. (Fig. 8)
9. Re-install all 3 headrests to the seat backrest. This completes the installation of your tailor made seat covers.

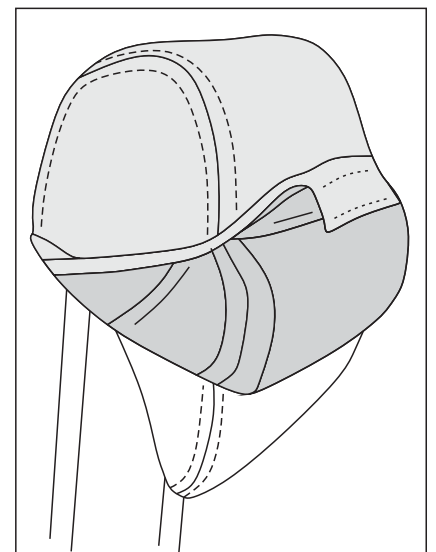


Fig. 8